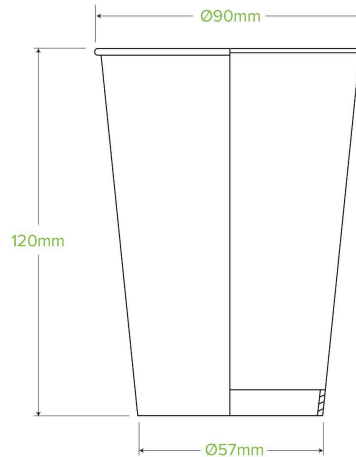


420ml / 14oz Green Cold Paper BioCup BCC-14-G



FSC™ certified green cold paper BioCups are lined inside and out with Ingeo™, a bioplastic made from plants, not oil – making them the perfect option for cold drinks. Certified industrially compostable (AS4736). Match with home compostable sugarcane lids (AS5810) or PLA-lined paper lids.

| | | |
|---|---|---|
| Carton quantity: 1000 | Sleeves per carton: 20 | Units per sleeve: 50 |
| Carton Size LxWxH (cm): 45.5x36.5x43 | Raw Material: Paper - FSC™ Mix certified paper | Lining/coating: Bioplastic - Ingeo™, PLA |
| Window Material: None | Inks: Food Contact Safe Inks | Brim fill capacity (ml): 425 |
| Dimensions top LxW (mm): 90x90 | Dimensions base LxW (mm): 57x57 | Product Depth: 120 |
| Product weight (g): 11 | Thickness: 263gsm | Use: Hot, Cold, Wet & Dry Products |
| Manufactured: China | Customise: Print | MOQ custom: 50000 |
| Mould fees: Yes - see custom packaging | Environmental production certified: ISO 14001 | Quality product certified: ISO 9001 |
| Factory food safety certified: BRC | Corporate social accreditation: SMETA | Home compostable: No |
| Industrially compostable: Certified to AS4736 Australian Standards, Certified to EN13432 European Standard | Recyclable: No | |